



11-6-2008

Method and Apparatus for Enabling Digital Rights Management in File Transfers

Robert H. Yacobellis
Loyola University Chicago, ryacobellis@luc.edu

Frederick L. Kitson

Paul Moroney

Petr Peterka

Theodore Rzeszewski

Follow this and additional works at: https://ecommons.luc.edu/cs_facpubs

 Part of the [Computer Sciences Commons](#)

Recommended Citation

Yacobellis, RH, FL Kitson, P Moroney, P Peterka, and T Rzeszewski. "Method and apparatus for enabling digital rights management in file transfers" (2008). International Patent WO 2008/134216 A1.

This Other is brought to you for free and open access by the Faculty Publications and Other Works by Department at Loyola eCommons. It has been accepted for inclusion in Computer Science: Faculty Publications and Other Works by an authorized administrator of Loyola eCommons. For more information, please contact ecommons@luc.edu.



This work is licensed under a [Creative Commons Attribution-Noncommercial-No Derivative Works 3.0 License](#).

(19) World Intellectual Property Organization
International Bureau



(43) International Publication Date
6 November 2008 (06.11.2008)

PCT

(10) International Publication Number
WO 2008/134216 A1

- (51) International Patent Classification:
G06F 21/00 (2006.01)
- (21) International Application Number:
PCT/US2008/059827
- (22) International Filing Date: 10 April 2008 (10.04.2008)
- (25) Filing Language: English
- (26) Publication Language: English
- (30) Priority Data:
11/739,868 25 April 2007 (25.04.2007) US
- (71) Applicants (for all designated States except US): **GENERAL INSTRUMENT CORPORATION** [US/US]; 101 Tournament Drive, Horsham, Pennsylvania 19044 (US). **KITSON, Frederick L.** [US/US]; 1 Illinois Avenue, Schaumburg, IL 60193 (US). **MORONEY, Paul** [US/US]; 3411 Western Springs Road, Olivenhain, CA 92024 (US). **PETERKA, Petr** [US/US]; 5126 Caminito Vista Lujo, San Diego, CA 92130 (US). **RZESZEWSKI, Theodore S.** [US/US]; 1315 Yorkshire Woods, Wheaton, IL 60187 (US). **YACOBELLIS, Robert H.** [US/US]; 6807 North Greenview Avenue, Chicago, IL 60626 (US).
- (72) Inventors; and
- (75) Inventors/Applicants (for US only): **OLSON, William L.** [US/US]; 3540 North Wilshire Drive, Palantine, IL 60067

- (US). **ILDEREM, Vida** [US/US]; 16211 South 14th Way, Phoenix, AZ 85048 (US). **MOORE, Morris A.** [US/US]; 2815 Demona Drive, Austin, TX 78733 (US).
- (74) Agents: **CULLEN, Lawrence, T.** et al.; 1303 East Algonquin Road, Schaumburg, Illinois 60196 (US).
- (81) Designated States (unless otherwise indicated, for every kind of national protection available): AE, AG, AL, AM, AO, AT, AU, AZ, BA, BB, BG, BH, BR, BW, BY, BZ, CA, CH, CN, CO, CR, CU, CZ, DE, DK, DM, DO, DZ, EC, EE, EG, ES, FI, GB, GD, GE, GH, GM, GT, HN, HR, HU, ID, IL, IN, IS, JP, KE, KG, KM, KN, KP, KR, KZ, LA, LC, LK, LR, LS, LT, LU, LY, MA, MD, ME, MG, MK, MN, MW, MX, MY, MZ, NA, NG, NI, NO, NZ, OM, PG, PH, PL, PT, RO, RS, RU, SC, SD, SE, SG, SK, SL, SM, SV, SY, TJ, TM, TN, TR, TT, TZ, UA, UG, US, UZ, VC, VN, ZA, ZM, ZW.
- (84) Designated States (unless otherwise indicated, for every kind of regional protection available): ARIPO (BW, GH, GM, KE, LS, MW, MZ, NA, SD, SL, SZ, TZ, UG, ZM, ZW), Eurasian (AM, AZ, BY, KG, KZ, MD, RU, TJ, TM), European (AT, BE, BG, CH, CY, CZ, DE, DK, EE, ES, FI, FR, GB, GR, HR, HU, IE, IS, IT, LT, LU, LV, MC, MT, NL, NO, PL, PT, RO, SE, SI, SK, TR), OAPI (BF, BJ, CF, CG, CI, CM, GA, GN, GQ, GW, ML, MR, NE, SN, TD, TG).

[Continued on next page]

(54) Title: METHOD AND APPARATUS FOR ENABLING DIGITAL RIGHTS MANAGEMENT IN FILE TRANSFERS

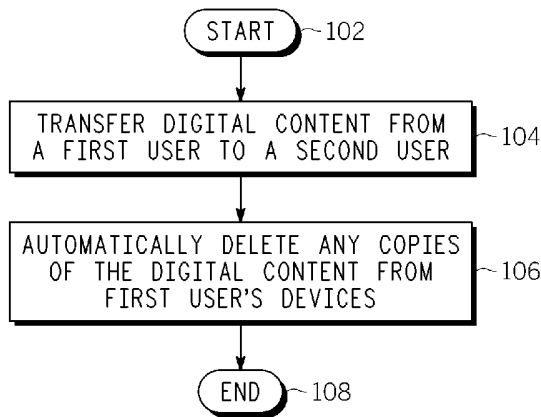


FIG. 1

(57) Abstract: Embodiments of the invention generally provide a method and apparatus for enabling digital rights management in file transfers. One embodiment of a method for transferring digital content from a first user to a second user, includes transferring ownership of an instance of the digital content to the second user, where the instance of the digital content resides on a first device belonging to the first user. Copies of the digital content are then deleted from one or more additional devices belonging to the first user (including at least one offline device).

WO 2008/134216 A1



Published:

— *with international search report*

— *with amended claims*

METHOD AND APPARATUS FOR ENABLING DIGITAL RIGHTS MANAGEMENT IN FILE TRANSFERS

FIELD OF THE INVENTION

[0001] The present invention generally relates to digital media, and more particularly relates to digital rights management.

BACKGROUND OF THE INVENTION

[0002] Digital Rights Management (DRM) is an umbrella term that refers to technologies used by publishers and/or copyright owners to control access to and usage of digital data (*e.g.*, digital music, images, text, etc.) and digital hardware (*e.g.*, digital media players), and to restrictions associated with specific instances of digital work or devices. For example, DRM may control the number of times that a legitimate owner of a specific instance of a digital work may reproduce that instance of work for his or her own use, to control the manner in which the owner may share the instance of work with others, or to control the manner in which the owner may transfer ownership of the instance of work to another party.

[0003] For example, a first user may wish to transfer ownership of a legally purchased MPEG-1 Audio Layer 3 (mp3) music file, or of a video file, to a second user, much in the same way the first user might sell a used compact disk or digital video disk of the same work. This is also referred to as a "MOVE" (as opposed to a "COPY", which would leave the original file in place). However, the first user may have multiple copies of the mp3 or video file on various connected and disconnected devices (*e.g.*, personal computer, personal digital assistant, digital music player, cellular telephone, etc.). Conventional methods for file transfer do not account for extra copies of transferred content, nor do they seek to eliminate these extra copies when ownership of the content changes hands. For instance, in the above example, such inability would allow the first user to transfer one copy of the mp3 or video file to the second user, while retaining any other copies for him or herself. Thus, unless the transferring party is diligent in checking all of his or her connected and unconnected devices and eliminating extra copies of the transferred content, one cannot be sure that the ownership has been transferred properly. This defeats the purposes of many policies that motivate DRM.

[0004] Therefore, there is a need in the art for a method and apparatus for enabling digital rights management in file transfers.

BRIEF DESCRIPTION OF THE DRAWINGS

[0005] So that the manner in which the above recited embodiments of the invention are attained and can be understood in detail, a more particular description of the invention, briefly summarized above, may be had by reference to the embodiments thereof which are illustrated in the appended drawings. It is to be noted, however, that the appended drawings illustrate only typical embodiments of this invention and are therefore not to be considered limiting of its scope, for the invention may admit to other equally effective embodiments.

[0006] FIG. 1 is a flow diagram illustrating one embodiment of a method for enabling digital rights management, according to the present invention;

[0007] FIG. 2 is a flow diagram illustrating one embodiment of a method for enabling digital rights management, according to the present invention; and

[0008] FIG. 3 is a high level block diagram of the present DRM autosync method that is implemented using a general purpose computing device.

[0009] To facilitate understanding, identical reference numerals have been used, where possible, to designate identical elements that are common to the figures.

DETAILED DESCRIPTION

[0010] Embodiments of the invention generally provide a method and apparatus for enabling digital rights management in file transfers. In one embodiment, the invention syncs a user's personal electronic devices to ensure that once the user transfers digital content to another party, copies of the content are automatically eliminated from the personal electronic devices. This substantially ensures that no unauthorized copies of the content will remain on the user's devices upon transfer.

[0011] FIG. 1 is a flow diagram illustrating one embodiment of a method 100 for enabling digital rights management, according to the present invention. The method 100 may be implemented, for example, at a personal electronic device (*e.g.*, including, but not limited to, a personal computer, a personal digital assistant, a digital music player, a cellular telephone, a personal video recorder, a digital video

recorder, a digital video player, a set top box, a portable media player, a gaming console or the like).

[0012] The method 100 is initialized at step 102 and proceeds to step 104, where the method 100 transfers ownership of a specific instance of digital content (e.g., a digital music file, a digital text file, a digital image or video file, a software application, etc.) from a first user to a second user. For instance, the first user may wish to transfer ownership of a particular mp3 music file or a cellular telephone ring tone to the second user.

[0013] In step 106, the method 100 automatically deletes any copies of the digital content from synced personal electronic devices belonging to the first user (e.g., where all of the first user's devices are members of a secure home domain, such as a family domain or an authorized domain). For instance, referring back to the above example, the method 100 may delete any copies of the mp3 or ring tone residing on devices other than that from which the transferred instance of the mp3 or ring tone resided. In one embodiment, deletion of the digital content from the synced personal electronic devices is done in a manner that prevents recovery of the digital content from the devices on which the digital content was deleted (i.e., "secure" deletion). The method 100 then terminates in step 108.

[0014] Thus, the method 100 substantially ensures that copyright and ownership rights in digital media are protected and preserved in the transfer of specific instances of digital content, without requiring owners to manually search for and delete copies of the digital content. The method 100 automatically syncs an owner's personal electronic devices so that, upon transfer of an instance of digital content, copies of the content are reliably and efficiently removed without requiring any further action on the owner's part. Thus, the present invention may be considered as the digital equivalent of giving a friend a purchased compact disk for a gift: transfer of digital content and assets between two parties is enabled, while it is ensured that the transferor does not retain unauthorized copies of the content on other devices once the transfer is complete.

[0015] However, since, at the time of the transfer, not all of the synchronized devices may be "online" or connected to the transferring device, deletion on these offline devices may not occur until the next synchronization (which would occur once the offline devices connect to the transferring device). As described in further detail below with respect to FIG. 2, this issue may be addressed by transferring only partial

ownership rights to the second user upon transfer of the actual digital content, and withholding full ownership rights until it can be confirmed that all copies of the digital content have been deleted from the first user's devices. In one embodiment, elimination of copies involves requiring the user of a digital device (*e.g.*, the first user) to periodically renew his or her domain membership, at which point the transferred digital content would be deleted. If the user fails to do so, no new content will be allowed to be streamed or copied to the user's devices until the transferred digital content is purged. In a further embodiment, if the offline device does not reconnect to the domain within a predefined period of time, the offline device may refuse to play content already present on the device, forcing the user to renew the device's domain membership. Furthermore, offline devices that do not connect to the domain within the predefined period of time cannot participate in any other home domain functionality. In another embodiment, if one or more of the first user's devices never reconnects after the transfer of the digital content, the second user never gets full ownership rights.

[0016] Thus, there are three potential scenarios at the time at which the digital content is transferred: (1) all of the first user's devices are online, and the digital content can be removed from all of the devices before the digital content is transferred to the second user; (2) some of the first user's devices are offline, but the digital content will be deleted from these devices once they are online; or (3) the second user is provided with limited ownership rights in the digital content until the first user verifies complete removal of the digital content from all connected and disconnected devices.

[0017] Moreover, although the method 100 is described in terms of a method for protecting commercial copyrighted material, it is to be appreciated that the method 100 may be implemented to protect a user's personal digital media as well (*e.g.*, the user's personal photos, documents, recordings and the like). Thus, for instance, the user may invoke the method 100 in order to transfer his or her media from an old personal computer to a new personal computer, while ensuring that no copies of the digital media remain on the old personal computer. In such a case, embodiments of the present invention support "secure" (*i.e.*, unrecoverable) removal of the digital media, such that the digital media cannot be recovered from the old personal computer.

[0018] FIG. 2 is a flow diagram illustrating one embodiment of a method 200 for enabling digital rights management, according to the present invention. Specifically, the method 200 presents the high-level DRM enablement method of Figure 1 in more detail. Like the method 100, the method 200 may be implemented, for example, at a personal electronic device (*e.g.*, including, but not limited to, a personal computer, a personal digital assistant, a digital music player, a cellular telephone or the like).

[0019] The method 200 is initialized at step 202 and proceeds to step 204, where the method 200 receives a request to transfer digital content (*e.g.*, a digital music file, a digital text file, a digital image or video file or the like). The request is made by the original owner of the specific instance of digital content to be transferred. In one embodiment, the request specifies a prospective new owner to whom the digital content is to be transferred. For example, the request may specify that the original owner of a legally purchased mp3 file would like to transfer ownership of the mp3 to a prospective new owner.

[0020] In step 205, the method 200 verifies ownership of the digital content to be transferred. That is, the method 200 verifies that the original owner of the digital content is a legitimate (*e.g.*, legal) owner of the digital content, and, as such, has the power to convey ownership of the digital content to the prospective new owner. For example, in one embodiment, a third-party verification system is used to verify ownership of the digital content by the original owner. In another embodiment, ownership is tracked and/or controlled by a database. In yet another embodiment, where the rights object is bound to a particular device (or domain of devices), this verification step includes comparing the device or domain ID with an ID found in the rights object. Or, if rights are bound to a device, the possession of the unique keys to decrypt and authenticate the license verifies the ownership. In a further embodiment, a chain of certificates is verified, where the chain goes back from the current device, through any intermediary owners, and finally to the certificate authority used to sign the original rights object issued to the first purchaser.

[0021] In step 206, the method 200 establishes the prospective new owner's agreement to receive ownership of the digital content. For example, the method 200 may send a message to the prospective new owner requesting that the prospective new owner respond with his or her consent to receive ownership of the digital content.

[0022] Once the prospective new owner's agreement has been established, the method 200 proceeds to step 207 and syncs at least two of the original owner's digital devices, including at least one device on which the digital content to be transferred resides. In one embodiment, the synced devices include both connected (to a network) and unconnected (to the network) devices that rely on autosync-type functions to keep an inventory of content consistent among multiple devices. For example, the original owner of the mp3 in the above example may have three copies of the mp3, where one copy resides on each of: a personal computer, a digital music player and a cellular telephone. The personal computer, digital music player and cellular telephone would be synced together to maintain a complete list of songs legally purchased by the original owner.

[0023] In step 208, the method 200 transfers the digital content from the original owner to the prospective new owner. In one embodiment, the transfer to the new owner in step 208 includes the transfer of limited ownership rights in the digital content; full ownership rights are not transferred to the new owner until it is confirmed that the digital content has been successfully and completely transferred and is unrecoverable from the original owner's devices, as described in greater detail below. For example, the new owner's device might only be able to play back the digital content, or may only be able to provide degraded playback (*e.g.*, lower resolution), but would not be able to share the digital content with other devices until full ownership is transferred.

[0024] The method 200 then proceeds to step 209 and confirms that the transfer of ownership was successful (*i.e.*, that the prospective new owner has received the complete digital content and rights object to be transferred). In one embodiment, successful transfer is acknowledged or confirmed by the new owner (*e.g.*, via a message sent by the new owner). In another embodiment, a device belonging to the new owner, to which the digital content was transferred, sends an automatic acknowledgment, if parameters of the digital content fit a template known by the device. In yet another embodiment, the recipient device opens the rights object and extracts a key needed to decrypt the digital content. The recipient device then computes a hash over the digital content and compares the hash to a value stored in the rights object. If the hash matches the stored value, then the recipient device is able to successfully decrypt the digital content and confirm that the contents are the same as when the rights object was created.

[0025] Once the transfer of ownership is complete, the method 200 proceeds to step 210 and looks for additional copies of the transferred digital content on the original owner's synced devices. In one embodiment, this search is performed in the background operations of the synced devices.

[0026] In step 212, the method 200 determines whether any additional copies of the transferred digital content were found on any of the original owner's synced devices. If the method 200 concludes in step 212 that at least one additional copy of the transferred content has been found on at least one of the original owner's synced devices, the method 200 proceeds to step 214 and automatically deletes the copies from the devices on which they reside. In one embodiment, deletion of the copies in accordance with step 212 is done in a way that ensures that the deleted digital content is not recoverable from the devices.

[0027] Once the additional copies of the transferred digital content have been deleted from the original owner's devices, the method 200 proceeds to step 215 and confirms the new ownership of the digital content. In one embodiment, confirmation of the new owner's legitimate ownership in step 215 includes transferring full ownership rights to the new owner. Thus, as discussed above, the new owner does not assume full ownership rights in the digital content until the new owner has accepted the complete digital content and the copies on the original owner's devices have been rendered unrecoverable.

[0028] The details of how ownership rights in the digital content are transferred to the new owner's device are DRM system-specific. For instance, Intellectual Property Rights Management (IPRM) sends a KEY-REQ and a KEY-REP transaction, which include a content decryption key and the rights associated with the content being transferred. This is preceded by a mutual device authentication (specific to the DRM system). In one embodiment, the original user domain management must be able to account for all disconnected devices, and confirmation in accordance with step 215 occurs only after all disconnected device have connected to the domain again. Alternatively, the original user domain must account for all copies of the original digital content that were given to portable devices, and confirmation in accordance with step 215 occurs after all devices that possessed copies of the digital content have connected to the domain again and purged the copies.

[0029] Referring back to step 212, if the method 200 alternatively concludes that no additional copies of the transferred content have been found on any of the original owner's synced devices, the method 200 proceeds directly to step 215 and confirms the new ownership of the digital content before terminating in step 216.

[0030] One potential complication includes the scenario where two portable (*i.e.*, offline) devices owned by a first user hold copies of the digital content, and each of the portable devices transfers its copy of the digital content (*i.e.*, to a second user and to a third user) at the same time. When the first user's portable devices later sync up with the home domain, each will delete its corresponding copy of the digital content. However, since neither device knows that the other device also transferred its copy of the digital content, two transfers resulted instead of one. If the right to transfer the digital content was limited to a transfer to one person, then this stipulation would have been violated by the multiple transfers. Thus, in one embodiment, this situation is substantially prevented by prohibiting the first user's portable devices from making transfers as a default; only the device possessing the original copy of the digital content has the right to transfer the digital content.

[0031] In order to avoid confusion, the first user should be made aware of the fact that copies of the digital content that reside on portable devices cannot be transferred. The first user should also be further made aware of the fact that, if digital content has been transferred, a copy of the digital content that resides on a portable device will likely disappear when the portable device syncs up with the home domain. In one embodiment, the first user is notified of such a deletion during the syncing process.

[0032] In yet another embodiment, a portable device may be the device from which the first user is most likely to make a transfer of digital content. In such a case, the first user may be granted the choice to give the portable device the right to transfer digital content. In one embodiment, the first user is given this choice at the time that the digital content is copied to the portable device. In one embodiment, the original device from which the digital content was copied to the portable device will lose the right to transfer the copied digital content, so that there still remains only one device capable of making transfers of the copied digital content. If the portable device then transfers the digital content, all copies of the transferred digital content will be deleted from the home domain when the portable device syncs up with the home domain.

[0033] FIG. 3 is a high level block diagram of the present DRM autosync method that is implemented using a general purpose computing device 300. In one embodiment, a general purpose computing device 300 comprises a processor 302, a memory 304, an autosync module 305 and various input/output (I/O) devices 306 such as a display, a keyboard, a mouse, a modem, a network connection and the like. In one embodiment, at least one I/O device is a storage device (*e.g.*, a disk drive, an optical disk drive, a floppy disk drive). It should be understood that the autosync module 305 can be implemented as a physical device or subsystem that is coupled to a processor through a communication channel.

[0034] Alternatively, the autosync module 305 can be represented by one or more software applications (or even a combination of software and hardware, *e.g.*, using Application Specific Integrated Circuits (ASIC)), where the software is loaded from a storage medium (*e.g.*, I/O devices 306) and operated by the processor 302 in the memory 304 of the general purpose computing device 300. Additionally, the software may run in a distributed or partitioned fashion on two or more computing devices similar to the general purpose computing device 300. Thus, in one embodiment, the autosync module 305 for eliminating copies of transferred digital media described herein with reference to the preceding figures can be stored on a computer readable medium or carrier (*e.g.*, RAM, magnetic or optical drive or diskette, and the like).

[0035] Thus, the present invention represents a significant advancement in the field of digital media. Embodiments of the invention generally provide a method and apparatus for enabling digital rights management. In one embodiment, the invention syncs a user's personal electronic devices to ensure that once the user transfers digital content to another party, copies of the content are automatically eliminated from the personal electronic devices. This substantially ensures that no unauthorized copies of the content will remain on the user's devices upon transfer.

[0036] While the foregoing is directed to embodiments of the invention, other and further embodiments of the invention may be devised without departing from the basic scope thereof.

What is claimed is:

1. A method for transferring digital content from a first user to a second user, the method comprising:
 - transferring ownership of an instance of the digital content to the second user, the instance of the digital content residing on a first device belonging to the first user;
 - and
 - automatically deleting one or more copies of the digital content from one or more additional devices belonging to the first user, the one or more additional devices including at least one offline device.
2. The method of claim 1, wherein the automatically deleting comprises:
 - syncing the first device and the one or more additional devices before transferring the instance of the digital content, to create a group of synced devices;
 - searching the group of synced devices for copies of the digital content; and
 - deleting any copies of the digital content that are found.
3. The method of claim 2, wherein the searching is performed in the background operations of the synced devices.
4. The method of claim 1, wherein the deleting comprises:
 - detecting when the at least one offline device is online;
 - searching the at least one offline device for a copy of the digital content; and
 - deleting the copy of the digital content, if a copy of the digital content is found.
5. The method of claim 4, wherein, until the at least one offline device has been searched and any copies of the digital content have been deleted therefrom, the at least one offline device is prevented from doing at least one of: receiving new digital content, receiving a key for existing digital content or participating in a home domain functionality.
6. The method of claim 1, wherein the digital content includes at least one of: a digital music file, a digital text file, a digital image file or a digital video file.

7. The method of claim 1, wherein the first device and the one or more additional devices include at least one of: a personal computer, a personal digital assistant, a digital video recorder, a portable media player, a digital music player or a cellular telephone.
8. The method of claim 1, further comprising:
 - conveying at least partial ownership rights in the instance of digital content to the second user at a time of the transferring; and
 - conveying full ownership rights in the instance of digital content to the second user, once deletion of the one or more copies is confirmed.
9. The method of claim 1, further comprising:
 - conveying full ownership rights in the instance of digital content to the second user at a time of the transferring.
10. The method of claim 1, wherein the one or more additional devices are, by default, prohibited from transferring digital content to other devices.
11. The method of claim 1, wherein the first device is an offline device that has been granted the right to transfer the digital content.
12. A computer readable medium containing an executable program for transferring digital content from a first user to a second user, where the program performs the steps of:
 - transferring ownership of an instance of the digital content to the second user, the instance of the digital content residing on a first device belonging to the first user;
 - and
 - automatically deleting one or more copies of the digital content from one or more additional devices belonging to the first user, the one or more additional devices including at least one offline device.
13. The computer readable medium of claim 12, wherein the automatically deleting comprises:

syncing the first device and the one or more additional devices before transferring the instance of the digital content, to create a group of synced devices; searching the group of synced devices for copies of the digital content; and deleting any copies of the digital content that are found.

14. The computer readable medium of claim 13, wherein the automatically deleting comprises:

searching the group of synced devices for copies of the digital content; and deleting any copies of the digital content that are found.

15. The computer readable medium of claim 14, wherein the searching is performed in the background operations of the synced devices.

16. The computer readable medium of claim 12, wherein the deleting comprises: detecting when the at least one offline device is online; searching the at least one offline device for a copy of the digital content; and deleting the copy of the digital content, if a copy of the digital content is found.

17. The computer readable medium of claim 12, wherein the digital content includes at least one of: a digital music file, a digital text file, a digital image file or a digital video file.

18. The computer readable medium of claim 12, wherein the first device and the one or more additional devices include at least one of: a personal computer, a personal digital assistant, a digital video recorder, a portable media player, a digital music player or a cellular telephone.

19. The computer readable medium of claim 12, further comprising:
conveying at least partial ownership rights in the instance of digital content to the second user at a time of the transferring; and
conveying full ownership rights in the instance of digital content to the second user, once deletion of the one or more copies is confirmed.

20. A system for transferring digital content from a first user to a second user, the system comprising:

means transferring ownership of an instance of the digital content to the second user, the instance of the digital content residing on a first device belonging to the first user; and

means for automatically deleting one or more copies of the digital content from one or more additional devices belonging to the first user, the one or more additional devices including at least one offline device.

AMENDED CLAIMS

received by the International Bureau on 29 September 2008 (29.09.2008)

1. A method for transferring digital content from a first user to a second user, the method comprising:
 - transferring ownership of an instance of the digital content to the second user, the instance of the digital content residing on a first device belonging to the first user; and
 - automatically deleting one or more copies of the digital content from one or more additional devices belonging to the first user, the one or more additional devices including at least one offline device.

2. The method of claim 1, wherein the automatically deleting comprises:
 - syncing the first device and the one or more additional devices before transferring the instance of the digital content, to create a group of synced devices;
 - searching the group of synced devices for copies of the digital content;and
 - deleting any copies of the digital content that are found.

3. The method of claim 2, wherein the searching is performed in the background operations of the synced devices.

4. The method of claim 1, wherein the deleting comprises:
 - detecting when the at least one offline device is online;
 - searching the at least one offline device for a copy of the digital content; and
 - deleting the copy of the digital content, if a copy of the digital content is found.

5. The method of claim 4, wherein, until the at least one offline device has been searched and any copies of the digital content have been deleted therefrom, the at least one offline device is prevented from doing at least one of: receiving new digital content, receiving a key for existing digital content or participating in a home domain functionality.

6. The method of claim 1, wherein the digital content includes at least one of: a digital music file, a digital text file, a digital image file or a digital video file.

7. The method of claim 1, wherein the first device and the one or more additional devices include at least one of: a personal computer, a personal digital assistant, a digital video recorder, a portable media player, a digital music player or a cellular telephone.

8. The method of claim 1, further comprising:
conveying at least partial ownership rights in the instance of digital content to the second user at a time of the transferring; and
conveying full ownership rights in the instance of digital content to the second user, once deletion of the one or more copies is confirmed.

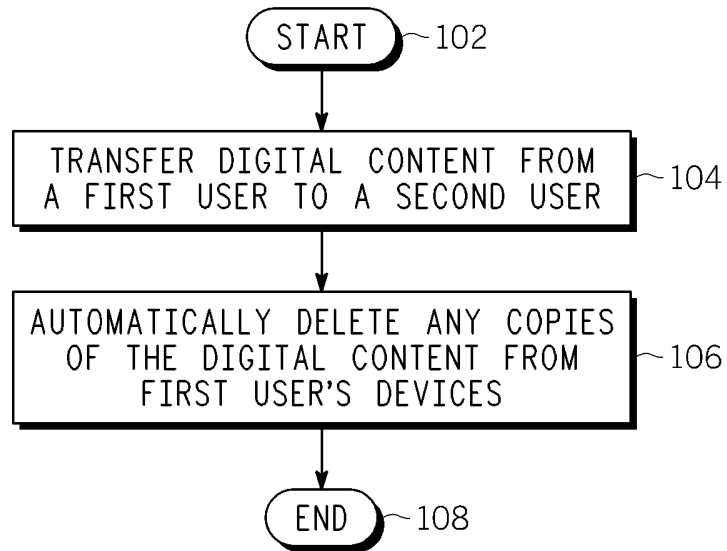
9. The method of claim 1, further comprising:
conveying full ownership rights in the instance of digital content to the second user at a time of the transferring.
10. The method of claim 1, wherein the one or more additional devices are, by default, prohibited from transferring digital content to other devices.
11. The method of claim 1, wherein the first device is an offline device that has been granted the right to transfer the digital content.
12. A computer readable medium containing an executable program for transferring digital content from a first user to a second user, where the program performs the steps of:
transferring ownership of an instance of the digital content to the second user, the instance of the digital content residing on a first device belonging to the first user; and
automatically deleting one or more copies of the digital content from one or more additional devices belonging to the first user, the one or more additional devices including at least one offline device.

13. A system for transferring digital content from a first user to a second user, the system comprising:

means transferring ownership of an instance of the digital content to the second user, the instance of the digital content residing on a first device belonging to the first user; and

means for automatically deleting one or more copies of the digital content from one or more additional devices belonging to the first user, the one or more additional devices including at least one offline device.

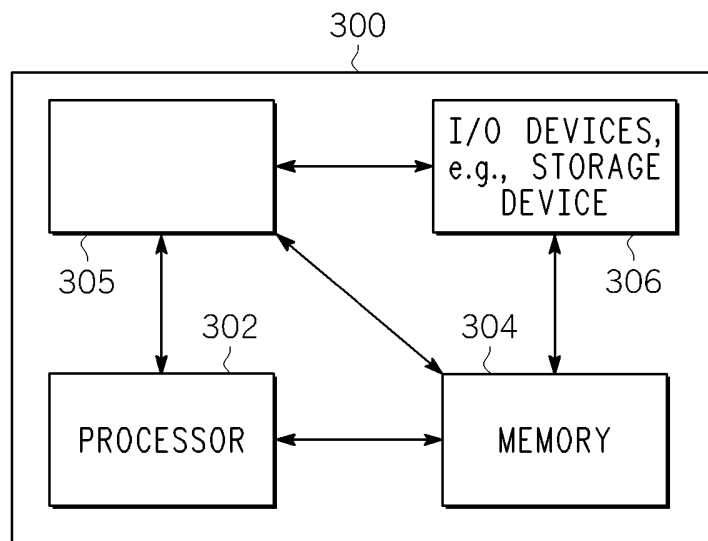
1/2



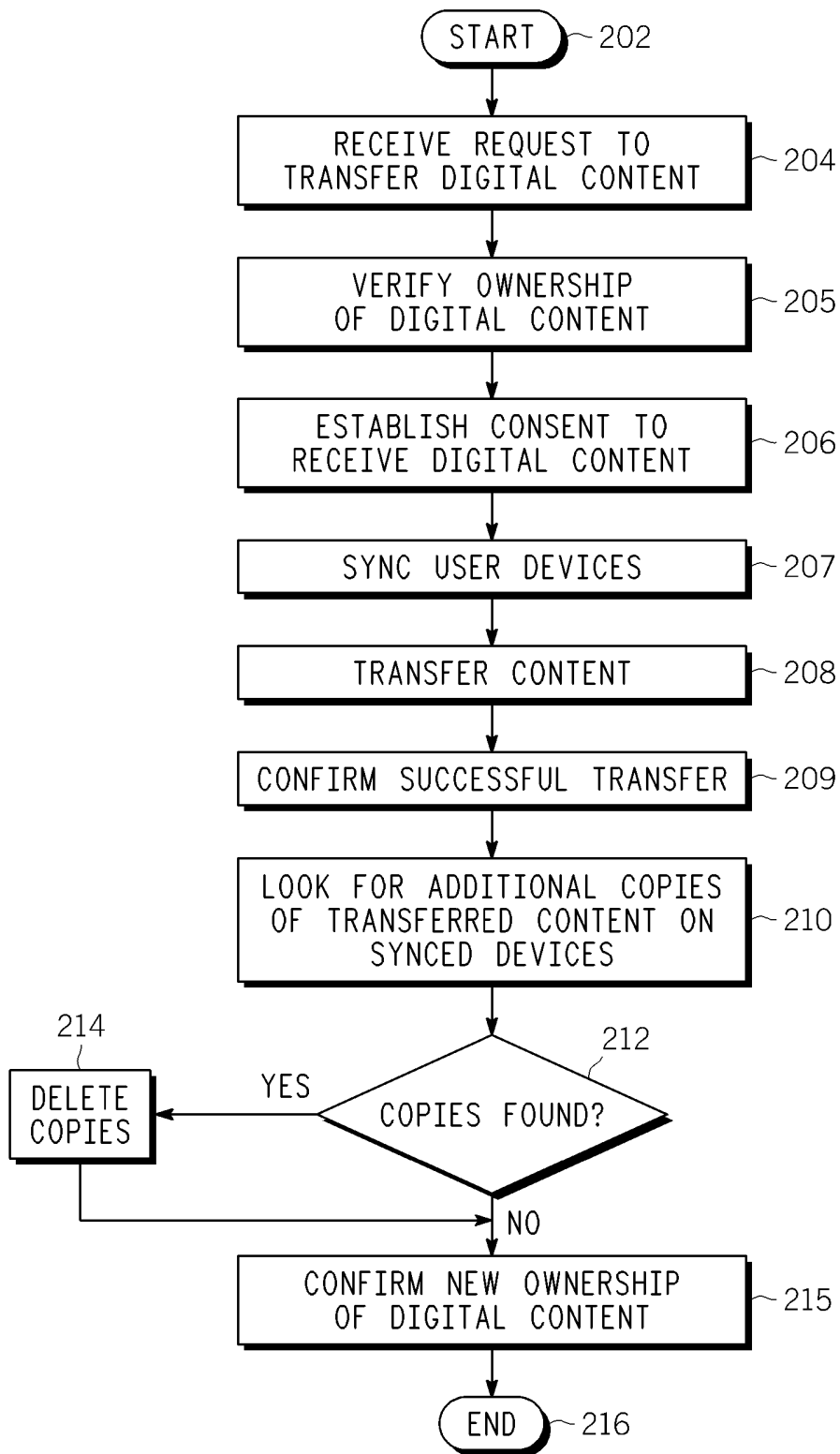
100

FIG. 1

FIG. 3



2/2



200

FIG. 2

INTERNATIONAL SEARCH REPORT

International application No
PCT/US2008/059827

A. CLASSIFICATION OF SUBJECT MATTER
INV. G06F21/00

According to International Patent Classification (IPC) or to both national classification and IPC

B. FIELDS SEARCHED

Minimum documentation searched (classification system followed by classification symbols)
H04L G06F

Documentation searched other than minimum documentation to the extent that such documents are included in the fields searched

Electronic data base consulted during the international search (name of data base and, where practical, search terms used)

EPO-Internal

C. DOCUMENTS CONSIDERED TO BE RELEVANT

Category*	Citation of document, with indication, where appropriate, of the relevant passages	Relevant to claim No.
Y	US 6 372 974 B1 (GROSS MARK T [US] ET AL) 16 April 2002 (2002-04-16) column 1 - column 3; figures 1,3	1-20
Y	CHEUN NGEN CHONG ET AL: "License Transfer in OMA-DRM" COMPUTER SECURITY - ESORICS 2006 LECTURE NOTES IN COMPUTER SCIENCE;;LNCS, SPRINGER BERLIN HEIDELBERG, BE, vol. 4189, 1 January 2006 (2006-01-01), pages 81-96, XP019043224 ISBN: 978-3-540-44601-9 abstract page 84 - page 91 page 94 - page 95	1-20

Further documents are listed in the continuation of Box C.

See patent family annex.

* Special categories of cited documents :

- *A* document defining the general state of the art which is not considered to be of particular relevance
- *E* earlier document but published on or after the international filing date
- *L* document which may throw doubts on priority claim(s) or which is cited to establish the publication date of another citation or other special reason (as specified)
- *O* document referring to an oral disclosure, use, exhibition or other means
- *P* document published prior to the international filing date but later than the priority date claimed

- *T* later document published after the international filing date or priority date and not in conflict with the application but cited to understand the principle or theory underlying the invention
- *X* document of particular relevance; the claimed invention cannot be considered novel or cannot be considered to involve an inventive step when the document is taken alone
- *Y* document of particular relevance; the claimed invention cannot be considered to involve an inventive step when the document is combined with one or more other such documents, such combination being obvious to a person skilled in the art.
- *&* document member of the same patent family

Date of the actual completion of the international search

22 July 2008

Date of mailing of the international search report

31/07/2008

Name and mailing address of the ISA/

European Patent Office, P.B. 5818 Patentlaan 2
NL - 2280 HV Rijswijk
Tel. (+31-70) 340-2040, Tx. 31 651 epo nl,
Fax: (+31-70) 340-3016

Authorized officer

Savvides, George

INTERNATIONAL SEARCH REPORT

International application No
PCT/US2008/059827

C(Continuation). DOCUMENTS CONSIDERED TO BE RELEVANT

Category*	Citation of document, with indication, where appropriate, of the relevant passages	Relevant to claim No.
A	US 2003/120943 A1 (HUGHES DAVID [US]) 26 June 2003 (2003-06-26) the whole document	1-20
A,P	WO 2007/086015 A (KONINKL PHILIPS ELECTRONICS NV [NL]; PETKOVIC MILAN [NL]; LI HONG [NL]) 2 August 2007 (2007-08-02) the whole document	1-20
A	WO 2005/093989 A (SMART INTERNET TECHNOLOGY CRC [AU]; LIU QIONG [AU]; SAFAVI-NAINI REIHA) 6 October 2005 (2005-10-06) the whole document	1-20

INTERNATIONAL SEARCH REPORT

Information on patent family members

International application No PCT/US2008/059827

Patent document cited in search report	Publication date	Patent family member(s)	Publication date
US 6372974	B1	16-04-2002	NONE
US 2003120943	A1	26-06-2003	US 2004220879 A1
WO 2007086015	A	02-08-2007	NONE
WO 2005093989	A	06-10-2005	CN 101002421 A EP 1735939 A1 JP 2007531127 T US 2007219917 A1
			18-07-2007 27-12-2006 01-11-2007 20-09-2007